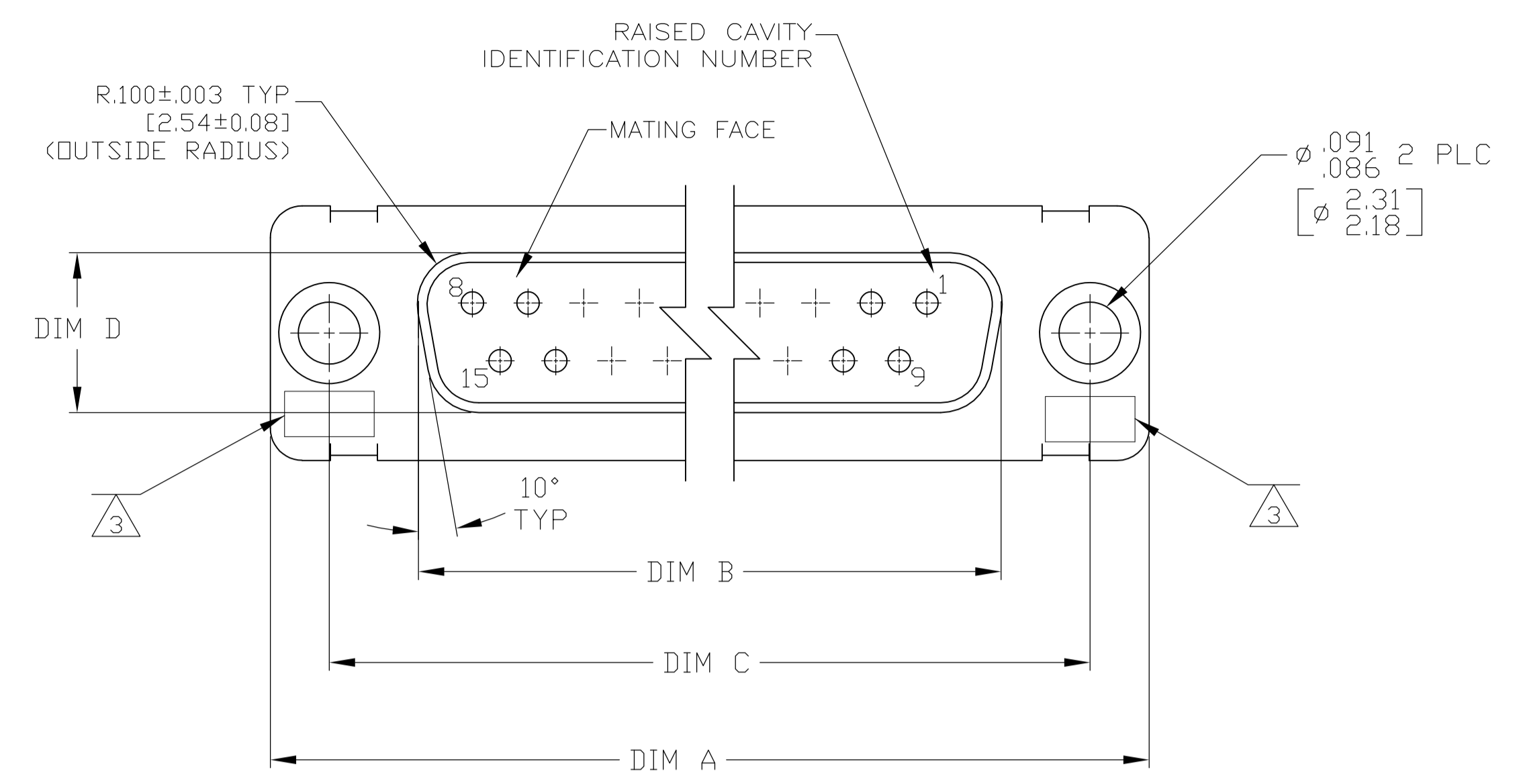
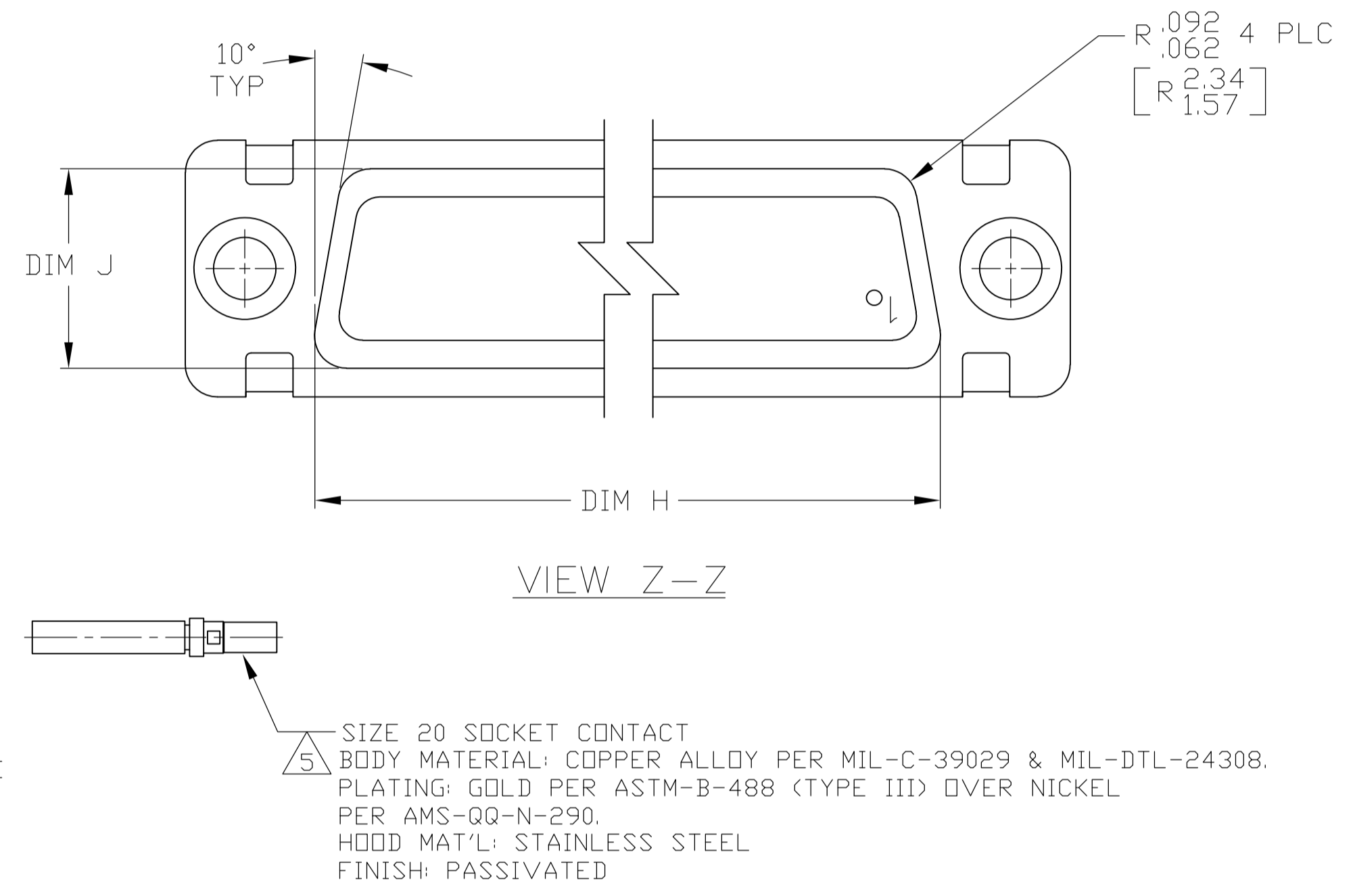
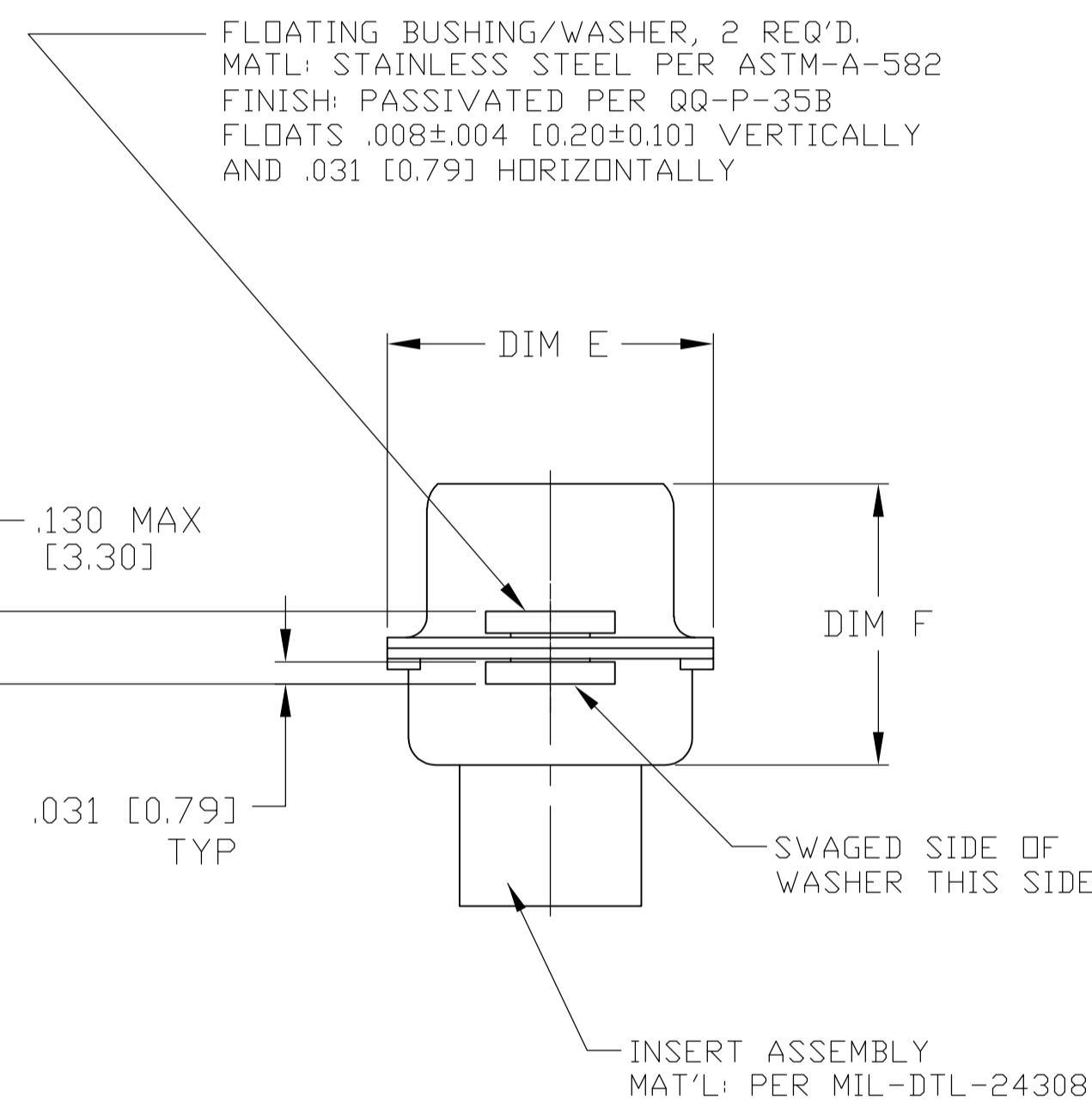
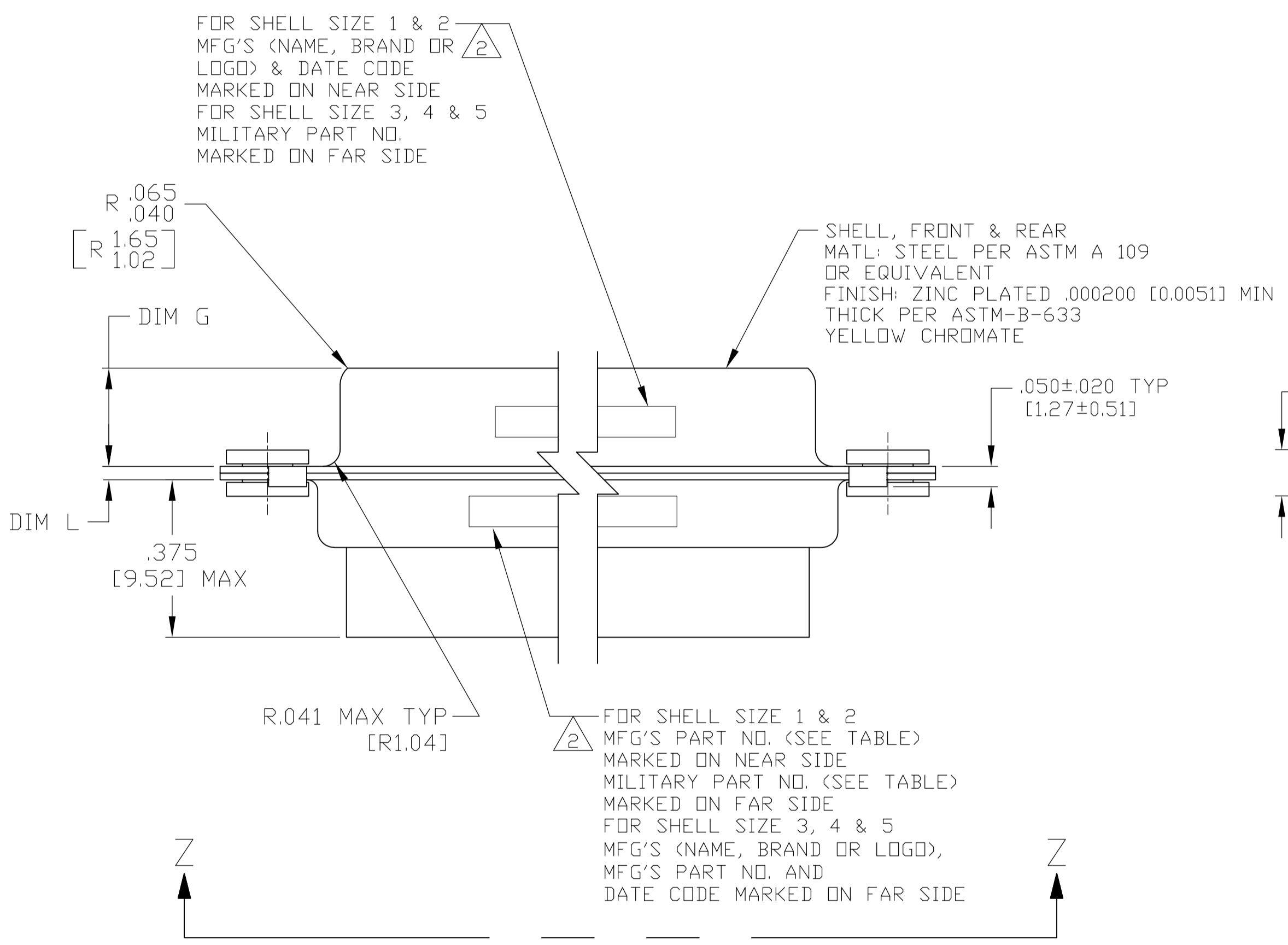


REVISONS		DATE	BY	APPV
P	LTR	DESCRIPTION		
G	REVISED PER	ECO-15-016062	09NOV15	KG CD



1. THE CONNECTOR DESCRIBED IN THIS DOCUMENT WILL MATE WITH ANY PLUG CONNECTOR WITH THE SAME INSERT ARRANGEMENT.
2. MARKED WITH .047-.062 [1.19-1.57] HIGH CHARACTERS. FAR SIDE REFERS TO THE WIDE SIDE OF THE KEYSTONE. NEAR SIDE REFERS TO THE NARROW SIDE OF THE KEYSTONE. WHEN SPACE IS LIMITED MARKING CAN BE SPLIT BETWEEN FRONT AND REAR SHELL.
3. UL/CSA DESIGNATION STAMPED IN THIS AREA.
4. CONNECTOR ASSEMBLY WITHOUT CONTACTS, MFG'S P/N 205090-1. MUST BE ORDERED SEPARATELY.
5. CONNECTOR ASSEMBLY SUPPLIED WITH CONTACTS, MFG'S P/N 205090-1. PACKAGED IN A SEPARATE CONTAINER. QTY = NO. OF POSN. (SEE TABLE).



MARKING	M24308/2-27Z	M24308/2-26Z	M24308/2-25Z	M24308/2-24Z	M24308/2-23Z	M24308/2-296Z	M24308/2-295Z	M24308/2-294Z	M24308/2-293Z	M24308/2-292Z	L	J	H	G	F	E	D	C	B	A	REMARKS
5	M24308/2-27Z	M24308/2-26Z	M24308/2-25Z	M24308/2-24Z	M24308/2-23Z	M24308/2-296Z	M24308/2-295Z	M24308/2-294Z	M24308/2-293Z	M24308/2-292Z	.049 [1.24]	.544 [13.82]	2.188 [55.58]	.248 [6.30]	.439 [11.15]	.620 [15.75]	.428 [10.87]	2.411 [61.24]	2.069 [52.55]	2.650 [67.31]	MS18277-1
5	M24308/2-26Z	M24308/2-25Z	M24308/2-24Z	M24308/2-23Z	M24308/2-296Z	M24308/2-295Z	M24308/2-294Z	M24308/2-293Z	M24308/2-292Z	M24308/2-292Z	.029 [0.74]	.524 [13.31]	2.168 [55.07]	.238 [6.05]	.419 [10.64]	.590 [14.99]	.418 [10.62]	2.401 [60.99]	2.059 [52.30]	2.620 [66.55]	MS18276-1
5	M24308/2-25Z	M24308/2-24Z	M24308/2-23Z	M24308/2-296Z	M24308/2-295Z	M24308/2-294Z	M24308/2-293Z	M24308/2-292Z	M24308/2-292Z	M24308/2-292Z	.049 [1.24]	.432 [10.97]	2.282 [57.96]	.248 [6.30]	.439 [11.15]	.509 [12.93]	.316 [8.03]	1.857 [47.17]	1.516 [38.51]	2.103 [53.42]	MS18275-1
5	M24308/2-24Z	M24308/2-23Z	M24308/2-296Z	M24308/2-295Z	M24308/2-294Z	M24308/2-293Z	M24308/2-292Z	M24308/2-292Z	M24308/2-292Z	M24308/2-292Z	.029 [0.74]	.412 [10.46]	2.262 [57.45]	.238 [6.05]	.419 [10.64]	.479 [12.17]	.306 [7.77]	1.847 [46.91]	1.506 [38.25]	2.073 [52.65]	MS18274-1
5	M24308/2-23Z	M24308/2-296Z	M24308/2-295Z	M24308/2-294Z	M24308/2-293Z	M24308/2-292Z	M24308/2-292Z	M24308/2-292Z	M24308/2-292Z	M24308/2-292Z	.040 [1.02]	.432 [10.97]	1.635 [41.53]	.248 [6.30]	.439 [11.15]	.509 [12.93]	.316 [8.03]	1.317 [33.45]	.976 [24.79]	1.556 [39.52]	MS18273-1
5	M24308/2-23Z	M24308/2-296Z	M24308/2-295Z	M24308/2-294Z	M24308/2-293Z	M24308/2-292Z	M24308/2-292Z	M24308/2-292Z	M24308/2-292Z	M24308/2-292Z	.020 [0.51]	.412 [10.46]	1.615 [41.02]	.238 [6.05]	.419 [10.64]	.479 [12.17]	.306 [7.77]	1.307 [33.20]	.966 [24.54]	1.526 [38.76]	MS18273-1
5	M24308/2-23Z	M24308/2-296Z	M24308/2-295Z	M24308/2-294Z	M24308/2-293Z	M24308/2-292Z	M24308/2-292Z	M24308/2-292Z	M24308/2-292Z	M24308/2-292Z	.040 [1.02]	.432 [10.97]	2.168 [55.07]	.238 [6.05]	.419 [10.64]	.590 [14.99]	.418 [10.62]	2.401 [60.99]	2.059 [52.30]	2.620 [66.55]	MS18277-1
4	M24308/2-296Z	M24308/2-295Z	M24308/2-294Z	M24308/2-293Z	M24308/2-292Z	M24308/2-292Z	M24308/2-292Z	M24308/2-292Z	M24308/2-292Z	M24308/2-292Z	.029 [0.74]	.524 [13.31]	2.168 [55.07]	.238 [6.05]	.419 [10.64]	.590 [14.99]	.418 [10.62]	2.401 [60.99]	2.059 [52.30]	2.620 [66.55]	MS18276-1
4	M24308/2-295Z	M24308/2-294Z	M24308/2-293Z	M24308/2-292Z	M24308/2-292Z	M24308/2-292Z	M24308/2-292Z	M24308/2-292Z	M24308/2-292Z	M24308/2-292Z	.049 [1.24]	.432 [10.97]	2.282 [57.96]	.248 [6.30]	.439 [11.15]	.509 [12.93]	.316 [8.03]	1.857 [47.17]	1.516 [38.51]	2.103 [53.42]	MS18275-1
4	M24308/2-294Z	M24308/2-293Z	M24308/2-292Z	M24308/2-292Z	M24308/2-292Z	M24308/2-292Z	M24308/2-292Z	M24308/2-292Z	M24308/2-292Z	M24308/2-292Z	.029 [0.74]	.412 [10.46]	2.262 [57.45]	.238 [6.05]	.419 [10.64]	.479 [12.17]	.306 [7.77]	1.847 [46.91]	1.506 [38.25]	2.073 [52.65]	MS18274-1
4	M24308/2-293Z	M24308/2-292Z	M24308/2-292Z	M24308/2-292Z	M24308/2-292Z	M24308/2-292Z	M24308/2-292Z	M24308/2-292Z	M24308/2-292Z	M24308/2-292Z	.040 [1.02]	.432 [10.97]	1.635 [41.53]	.248 [6.30]	.439 [11.15]	.509 [12.93]	.316 [8.03]	1.317 [33.45]	.976 [24.79]	1.556 [39.52]	MS18273-1
4	M24308/2-292Z	M24308/2-292Z	M24308/2-292Z	M24308/2-292Z	M24308/2-292Z	M24308/2-292Z	M24308/2-292Z	M24308/2-292Z	M24308/2-292Z	M24308/2-292Z	.020 [0.51]	.412 [10.46]	1.615 [41.02]	.238 [6.05]	.419 [10.64]	.479 [12.17]	.306 [7.77]	1.307 [33.20]	.966 [24.54]	1.526 [38.76]	MS18273-1
4	M24308/2-292Z	M24308/2-292Z	M24308/2-292Z	M24308/2-292Z	M24308/2-292Z	M24308/2-292Z	M24308/2-292Z	M24308/2-292Z	M24308/2-292Z	M24308/2-292Z	.040 [1.02]	.432 [10.97]	2.168 [55.07]	.238 [6.05]	.419 [10.64]	.590 [14.99]	.418 [10.62]	2.401 [60.99]	2.059 [52.30]	2.620 [66.55]	MS18277-1
4	M24308/2-292Z	M24308/2-292Z	M24308/2-292Z	M24308/2-292Z	M24308/2-292Z	M24308/2-292Z	M24308/2-292Z	M24308/2-292Z	M24308/2-292Z	M24308/2-292Z	.029 [0.74]	.524 [13.31]	2.168 [55.07]	.238 [6.05]	.419 [10.64]	.590 [14.99]	.418 [10.62]	2.401 [60.99]	2.059 [52.30]	2.620 [66.55]	MS18276-1
4	M24308/2-292Z	M24308/2-292Z	M24308/2-292Z	M24308/2-292Z	M24308/2-292Z	M24308/2-292Z	M24308/2-292Z	M24308/2-292Z	M24308/2-292Z	M24308/2-292Z	.049 [1.24]	.432 [10.97]	2.282 [57.96]	.248 [6.30]	.439 [11.15]	.509 [12.93]	.316 [8.03]	1.857 [47.17]	1.516 [38.51]	2.103 [53.42]	MS18275-1
4	M24308/2-292Z	M24308/2-292Z	M24308/2-292Z	M24308/2-292Z	M24308/2-292Z	M24308/2-292Z	M24308/2-292Z	M24308/2-292Z	M24308/2-292Z	M24308/2-292Z	.029 [0.74]	.412 [10.46]	2.262 [57.45]	.238 [6.05]	.419 [10.64]	.479 [12.17]	.306 [7.77]	1.847 [46.91]	1.506 [38.25]	2.073 [52.65]	MS18274-1
4	M24308/2-292Z	M24308/2-292Z	M24308/2-292Z	M24308/2-292Z	M24308/2-292Z	M24308/2-292Z	M24308/2-292Z	M24308/2-292Z	M24308/2-292Z	M24308/2-292Z	.040 [1.02]	.432 [10.97]	1.635 [41.53]	.248 [6.30]	.439 [11.15]	.509 [12.93]	.316 [8.03]	1.317 [33.45]	.976 [24.79]	1.556 [39.52]	MS18273-1
4	M24308/2-292Z	M24308/2-292Z	M24308/2-292Z	M24308/2-292Z	M24308/2-292Z	M24308/2-292Z	M24308/2-292Z	M24308/2-292Z	M24308/2-292Z	M24308/2-292Z	.020 [0.51]	.412 [10.46]	1.615 [41.02]	.238 [6.05]	.419 [10.64]	.479 [12.17]	.306 [7.77]	1.307 [33.20]	.966 [24.54]	1.526 [38.76]	MS18273-1
4	M24308/2-292Z	M24308/2-292Z	M24308/2-292Z	M24308/2-292Z	M24308/2-292Z	M24308/2-292Z	M24308/2-292Z	M24308/2-292Z	M24308/2-292Z	M24308/2-292Z	.040 [1.02]	.432 [10.97]	2.168 [55.07]	.238 [6.05]	.419 [10.64]	.590 [14.99]	.418 [10.62]	2.401 [60.99]	2.059 [52.30]	2.620 [66.55]	MS18277-1
4	M24308/2-292Z	M24308/2-292Z	M24308/2-292Z	M24308/2-292Z	M24308/2-292Z	M24308/2-292Z	M24308/2-292Z	M24308/2-292Z	M24308/2-292Z	M24308/2-292Z	.029 [0.74]	.524 [13.31]	2.168 [55.07]	.238 [6.05]	.419 [10.64]	.590 [14.99]	.418 [10.62]	2.401 [60.99]	2.059 [52.30]	2.620 [66.55]	MS18276-1
4	M24308/2-292Z	M24308/2-292Z	M24308/2-292Z	M24308/2-292Z	M24308/2-292Z	M24308/2-292Z	M24308/2-292Z	M24308/2-292Z	M24308/2-292Z	M24308/2-292Z	.049 [1.24]	.432 [10.97]	2.282 [57.96]	.248 [6.30]	.439 [11.15]	.509 [12.93]	.316 [8.03]	1.857 [47.17]	1.516 [38.51]	2.103 [53.42]	MS18275-1
4	M24308/2-292Z	M24308/2-292Z	M24308/2-292Z	M24308/2-292Z	M24308/2-292Z	M24308/2-292Z	M24308/2-292Z	M24308/2-292Z	M24308/2-292Z	M24308/2-292Z	.029 [0.74]	.412 [10.46]	2.262 [57.45]	.238 [6.05]	.419 [10.64]	.479 [12.17]	.306 [7.77]	1.847 [46.91]	1.506 [38.25]	2.073 [52.65]	MS18274-1
4	M24308/2-292Z	M24308/2-292Z	M24308/2-292Z	M24308/2-292Z	M24308/2-292Z	M24308/2-292Z	M24308/2-292Z	M24308/2-292Z	M24308/2-292Z	M24308/2-292Z	.040 [1.02]	.432 [10.97]	1.635 [41.53]	.248 [6.30]	.439 [11.15]	.509 [12.93]	.316 [8.03]	1.317 [33.45]	.976 [24.79]	1.556 [39.52]	MS18273-1
4	M24308/2-292Z	M24308/2-292Z	M24308/2-292Z	M24308/2-292Z	M24308/2-292Z	M24308/2-292Z	M24308/2-292Z	M24308/2-292Z	M24308/2-292Z	M24308/2-292Z	.020 [0.51]	.412 [10.46]	1.615 [41.02]	.238 [6.05]	.419 [10.64]	.479 [12.17]	.306 [7.77]	1.307 [33.20]	.966 [24.54]	1.526 [38.76]	MS18273-1
4	M24308/2-292Z	M24308/2-292Z	M24308/2-292Z	M24308/2-292Z	M24308/2-292Z	M24308/2-292Z	M24308/2-292Z	M24308/2-292Z	M24308/2-292Z	M24308/2-292Z	.040 [1.02]	.432 [10.97]	2.168 [55.07]	.238 [6.05]	.419 [10.64]	.590 [14.99]	.418 [10.62]	2.401 [60.99]	2.059 [52.30]	2.620 [66.55]	MS18277-1
4	M24308/2-292Z	M24308/2-292Z	M24308/2-292Z	M24308/2-292Z	M24308/2-292Z	M24308/2-292Z	M24308/2-292Z	M24308/2-292Z	M24308/2-292Z	M24308/2-292Z	.029 [0.74]	.524 [13.31]	2.168 [55.07]	.238 [6.05]	.419 [10.64]	.590 [14.99]	.418 [10.62]	2.401 [60.99]	2.059 [52.30]	2.620 [66.55]	MS18276-1
4	M24308/2-292Z	M24308/2-292Z	M24308/2-292Z	M24308/2-292Z	M24308/2-292Z	M24308/2-292Z	M24308/2-292Z	M24308/2-292Z	M24308/2-292Z	M24308/2-292Z	.049 [1.24]	.432 [10.97]	2.282 [57.96]	.248 [6.30]	.439 [11.15]	.509 [12.93]	.316 [8.03]	1.857 [47.17]	1.516 [38.51]	2.103 [53.42]	MS18275-1
4	M24308/2-292Z	M24308/2-292Z	M24308/2-292Z	M24308/2-292Z	M24308/2-292Z	M24308/2-292Z	M24308/2-292Z	M24308/2-292Z	M24308/2-292Z	M24308/2-292Z	.029 [0.74]	.412 [10.46]	2.262 [57.45]	.238 [6.05]	.419 [10.64]	.479 [12.17]	.306 [7.77]	1.847 [46.91]	1.506 [38.25]	2.073 [52.65]	MS18274-1
4	M24308/2-292Z	M24308/2-292Z	M24308/2-292Z	M24308/2-292Z	M24308/2-292Z	M24308/2-292Z	M24308/2-292Z	M24308/2-292Z	M24308/2-292Z	M24308/2-292Z	.040 [1.02]	.432 [10.97]	1.635 [41.53]	.248 [6.30]	.439 [11.15]	.509 [12.93]	.316 [8.03]	1.317 [33.45]	.976 [24.79]	1.556 [39.52]	MS18273-1
4	M24308/2-292Z	M24308/2-292Z	M24308/2-292Z	M24308/2-292Z	M24308/2-292Z	M24308/2-292Z	M24308/2-292Z	M24308/2-292Z	M24308/2-292Z	M24308/2-292Z	.020 [0.51]	.412 [10.46]	1.615 [41.02]	.238 [6.05]	.419 [10.64]	.479 [12.17]	.306 [7.77]	1.307 [33.20]	.966 [24.54]	1.526 [38.76]	MS18273-1
4	M24308/2-292Z																				